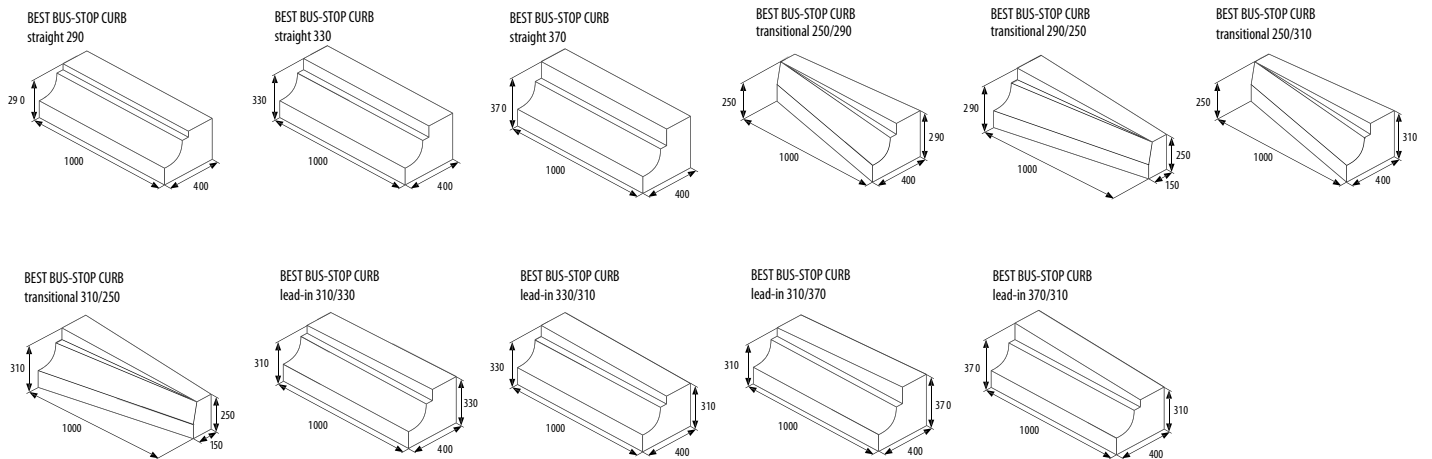


TECHNICAL INFORMATION



Layout dimensions

name	layout dimensions (mm)			quantity (pcs)	weight (kg)			max. tonnage up to 24 tonnes	
	height	length	width	pallet	pcs	pallet	incl. pallet	pcs of pall.	pcs
BEST BUS-STOP CURB 370	370	1000	400	6	261	1566	1596	15	90
BEST BUS-STOP CURB 330	330	1000	400	6	242	1452	1482	16	96
BEST BUS-STOP CURB 290	290	1000	400	6	224	1344	1374	17	102
BEST BUS-STOP CURB lead-in 310/370 left	310/370	1000	400	6	247	1482	1512	15	90
BEST BUS-STOP CURB lead-in 370/310 right	370/310	1000	400	6	247	1482	1512	15	90
BEST BUS-STOP CURB lead-in 310/330 left	310/330	1000	400	6	238	1428	1458	16	96
BEST BUS-STOP CURB lead-in 330/310 right	330/310	1000	400	6	238	1428	1458	16	96
BEST BUS-STOP CURB transitional 250/310 left	250/310	1000	150/400	2	151	302	332	24	48
BEST BUS-STOP CURB transitional 310/250 right	310/250	1000	400/150	2	151	302	332	24	48
BEST BUS-STOP CURB transitional 250/290 left	250/290	1000	150/400	2	147	294	324	24	48
BEST BUS-STOP CURB transitional 290/250 right	290/250	1000	400/150	2	147	294	324	24	48

EXPLANATIONS OF PICTOGRAMS



Road curb



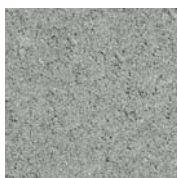
Surface basic

TECHNICAL INFORMATION

We are holders of the Gold Certificate for complete certification according to ISO 9001, ISO 14001, ISO 50001, ISO 45001. Our products are manufactured and inspected pursuant to European harmonized standards.

production standard	maximum deviation from declared production dimensions		bending tensile strength	ČSN EN 206, compressive strength class	skid/slip resistance	ČSN 73 1326, weather resistance, method A
	width and height	length				
ČSN EN 1340	±3 % (min. 3 mm, max. 5 mm)	max. ±1 %	≥ 3.5 MPa	C 45/55	satisfactory	≤ 1.0 kg/m ² after 100 cycles

SURFACE FINISHES AND COLOURS



NATURAL

surface	characteristics	colour
STANDARD	standard surface with natural aggregate roughness corresponding to the visible layer of concrete paving	natural

GENERAL INFORMATION

Two-layer vibrated curb with high strength, frost resistance, surface resistance to water and chemical de-icing agents. The curb has low abrasion and good adhesion properties. BEST concrete elements are permanently impregnated against contamination.

The minimum shipping quantity is 1 piece. The goods are loaded on marked pallets BEST (30 kg) or BEST large (38 kg) according to the production capacity of individual plants.

When laying, it is important to follow the correct procedure according to the instructions for use (www.best.cz).

Use: BEST BUS-STOP CURB is suitable for creating a barrier-free transition from the paving to the road, e.g. for creating public transport stops.

